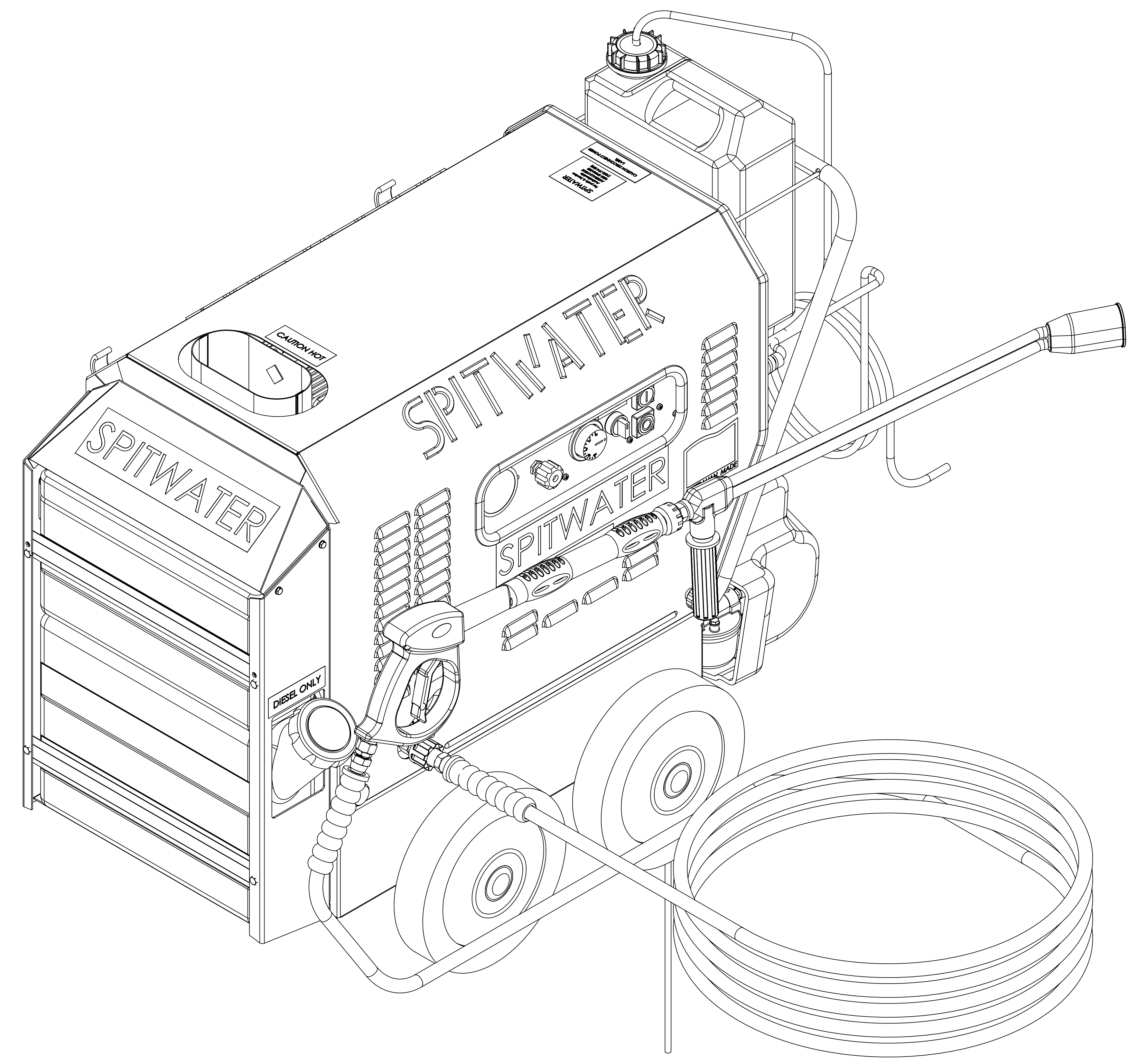


ITEM NO.	PART NUMBER	MATERIAL	DESCRIPTION	QTY.
1	48025		FRAME COMPLETE	1
2	48030-01		DIESEL TANK	1
3	48032-01		BREAK TANK	1
4	PA29016020		RGO FLOAT VALVE 10bar 60° C 29l/m @ 2bar	1
5	48875	70075/T	SPLASH PROTECTION,85 WIDE	1
6	70200-Z	70043/A	WASHER ALUMINIUM 3/4"	1
7	48784		SUCTION FILTER 3/8" F BSPP	1
8	44005	70291/R	ELBOW 3/8" F BSPP - 11mm HOLE	1
9	70559		TAIL PIECE COMPLETE 3/4" F BSPP - SNAP ON	1
10	44541	70291/H	HOSE BARB 1/8" M BSP T - 1/4" HOSE BARB	2
11	48775	70291/P	HOSEBARB 3/8" M BSPT - 1/2" BARB	2
12	48701		DIESEL FILTER	1
13	47039	70291/M	HOSE BARB 1/4" M BSPT-1/4" HOSE BARB	2
14	70036-N00330	70036/N	HOSE PETROCAR 10L/L dn 6 X 13 330mm	1
15	70036-N01000	70036/N	HOSE PETROCAR 10L/L dn 6 X 13-1000mm	1
16	70036-N01000	70036/N	HOSE PETROCAR 10L/L dn 6 X 13 1000mm	1
17	44906-B		INSULATION	1
18	48505		CYLINDER COMPLETE	1
19	47134	70291/U	NIPPLE 1/2" M BSPT - 3/8" M BSPT	1
20	44890	70075/T	WASHER 50mm STAINLESS STEEL	1
21	47211		SUMP COMPLETE	1
22	PA21003021		FIXED VENTURI INJECTOR 2.1 mm	1
23	72034	70291/U	NIPPLE 3/8" F BSPP - 3/8" M BSPT	1
24	46213-A		SAFETY VALVE COMPLETE	1
25	48734		PIPE SAFETY VALVE	1
26	44901-A		SUPERWOOL PLUS BLANKET DISC NO HOLE	1
27	44901-C	44899	SUPERWOOL PLUS BLANKET STRIP	1
28	47133-C		COIL MEDIUM 3/8" M BSPP INLET 1/2" F BSPP	1
29	44901		SUPERWOOL PLUS BLANKET DISC WITH HOLE	1
30	44899-B	44900	SUPERWOOL PLUS BLANKET STRIP	1
31	44910-B		STACK COMPLETE-MEDIUM	1
32	44091		BURNER SUPPORT COMPLETE	1
33	44101		GASKET - BURNER SW HT PAPER	1
34	44902-E02		BURNER WITH NOZZLE 1.5 230V 50HZ 1PH	1
35	48307		MOTOR 4.0kW 2POLE-MEC100-H/SHAFT24mm	1
36	48244		FLANGE SOGA 2.2-4.0kW 4P (44 INTER)	1
37	IPP89		WW186 MALE SHAFT+VALVE 3/8" OUT	1
38	72007	70329/L	PLUG	1
39	47036	70921/U	HOSEBARB 1/2" M BSPT - 1/2" HOSEBARB	1
40	44008	-	ELBOW 1/2" M BSPT - 1/2" HOSEBARB 10bar	1
41	70302		ELECTRICAL PANEL ASSEMBLY-SHW37	1
42	48705 C		HP HOSE 0.24m 1/4" FBSPP-1/4" FBSPP 250bar	1
43	48706-J		HP HOSE 0.39m 3/8" FBSPP-3/8" FBSPP 400bar	1
44	48733-A	70036/E	HOSE AQUAGEN 1/2" 320mm	1
45	48799	70036/E	HOSE AQUAGEN 1/2" 470mm	1
46	48048		BASKET COMPLETE	1
47	47002-A		DETERGENT BOTTLE 10L NATURAL	1
48	46241		2 STEP PLASTIC DET FILTER 1/4" HOSE BARB	1
49	46239		SPRING HOSE CLAMP 9.3/9.9	1
50	48544		TANK PROTECTION COMPLETE	1
51	48553		TANK RETAINER COMPLETE	2
52	48071		BURNER PROTECTION COVER	1
53	48750-B		CAP WITH BREATHER D90 BLACK	1
54	48084-M		COVER COMPLETE	1
55	48440-A	70595	PROTECTIVE MOULDING HOT WATER 1440mm	1
56	48442	70595	PROTECTIVE MOULDING 900mm	1
57	33265		WHEEL AC 250 250mm - BORE Ø20mm	4
58	33265-B		HUB CAP COVER G48 BLACK	4
59	33265-C		HUB CAP BLOCK 20 Ø20.0mm	4
60	46236		FASTENING KNOB	5
61	48876		LANCE HOLDER	2

ITEM NO.	PART NUMBER	MATERIAL	DESCRIPTION	QTY.
62	PA26025050		AR1 B M22 3PCS SCREW-TYPE CPL.-3/8M BSP	1
63	46608		H/P HOSE 8m 3/8" F BSPP-3/8" F BSPP	1
64	M4022105010		MV925+MV70+ARF 30l/min 280bar 160°C	1
65	M392301		DOUBLE LANCE 684mm - M22 X1.5 - 1/4"NPTF	1
66	70014-0415		HIGH PRESSURE NOZZLE 1/4" M NPT 040 15°	1
67	M0124710120		LOW PRESSURE NOZZLE 600 50° 50bar 150°C	1
68	70572		CABLE TIE G300x7N	1
69	70050-F		FULL NUT M8 x 1.25 - 6	10
70	70053-G	-	HEXAGON DOMED CUP NUTS M6 x 1.0	2
71	70104-H		SCREW HEX/HEAD M 6x10x1 Z/P	4
72	70104-I		SCREW HEX HEAD M6 x 1.00 x 16 -4.8	4
73	70106-P		SCREW HEX HEAD M8 x 1.25 x 25 - 4.6	4
74	70120-I		SOCKET CAP SCREW M6 x 1.00 x 16 - 12.9	4
75	70141-D		PHILLIPS PAN HEAD M4 x 0.7 x 8	4
76	70230-B		POP RIVET 4.8 x1 8 HEAD 14	2
77	70196		HEX HEAD SELF-DRILL SCREW COLLAR 4.8x16	22
78	70200-E		FLAT WASHER 6.50 x 13 x 1.20	4
79	70200-F		FLAT WASHER 6.50 x 16 x 1.20	2
80	70200-MM		FLAT WASHER 1/2" x 1 1/8" x 16 GAUGE	1
81	70200-P		STANDARD FLAT WASHER 20.50 x 35 x 3	4
82	70200-HH		FLAT WASHER 8.50 x 25 x 1.60	10
83	70210-B		INTERNAL TOOTH LOCK WASHER M 4	4
84	70210-D		INTERNAL TOOTH LOCK WASHER M 6	8
85	70220-F		SPRING LOCK WASHER M8	14
86	70597-A		HOSE CLAMP 304SS 16-8mm 8mm WIDE	7
87	70597-D		EAR CLAMP 304SS21-18.5mm 7mm WIDE	4
88	20200		AUSTRALIAN MADE LABEL	1
89	20201		CAUTION HOT LABEL	1
90	20205		PARTS & SERVICE LABEL	1
91	20222		CAUTION DISCONNECT POWER LABEL	2
92	20240		SERIAL NUMBER LABEL	1
93	20241		MODEL LABEL	1
94	20246		DIESEL ONLY LABEL	1
95	20247-A		BURNER LABEL	1
96	20252		SPITWATER LARGE LOGO LABEL	2
97	48653		PALLET COMPLETE	1
98	72029		AXLE BRACKET-FOR PALLET	2
99	48652		PACKAGING SW110 SW131 SW151 SW161 SW201	1
100	20242		PACKAGING LABEL	2
101	72030		PACKING BRACKETS	6

PROPRIETARY CONFIDENTIAL AND COMPLIANCE: THE INFORMATION CONTAINED IN THIS DRAWING IS THE SOLE PROPERTY OF SPITWATER AUSTRALIA ANY REPRODUCTION IN PART OR AS A WHOLE WITHOUT THE WRITTEN PERMISSION OF SPITWATER AUSTRALIA Pty.Ltd. IS PROHIBITED. ANY CHANGES REQUIRE ENGINEERING OFFICE APPROVAL PRIOR TO IMPLEMENTATION. IF IN DOUBT CONSULT YOUR TEAM LEADER OR PRODUCTION MANAGER.



	DATE	NAME
APPROVED		
CHECKED		
DRAWN	25/09/2017	Rajdev

SCALE: 1:3

THIRD ANGLE

SPITWATER AUSTRALIA

HEAD OFFICE AND MANUFACTURING PLANT
953 METRY STREET, ALBURY,
NSW 2640, AUSTRALIA
PH. 02 60257255 FAX. 02 60401187
E-MAIL: enquiries@spitwater.com
WEB SITE: www.spitwater.com

DESCRIPTION:
13-180H 2700PSI 13L/M 5.5HP 3PH 380/50

MATERIAL:

TIME OF PRODUCTION:

ATOT:-
FINISH:

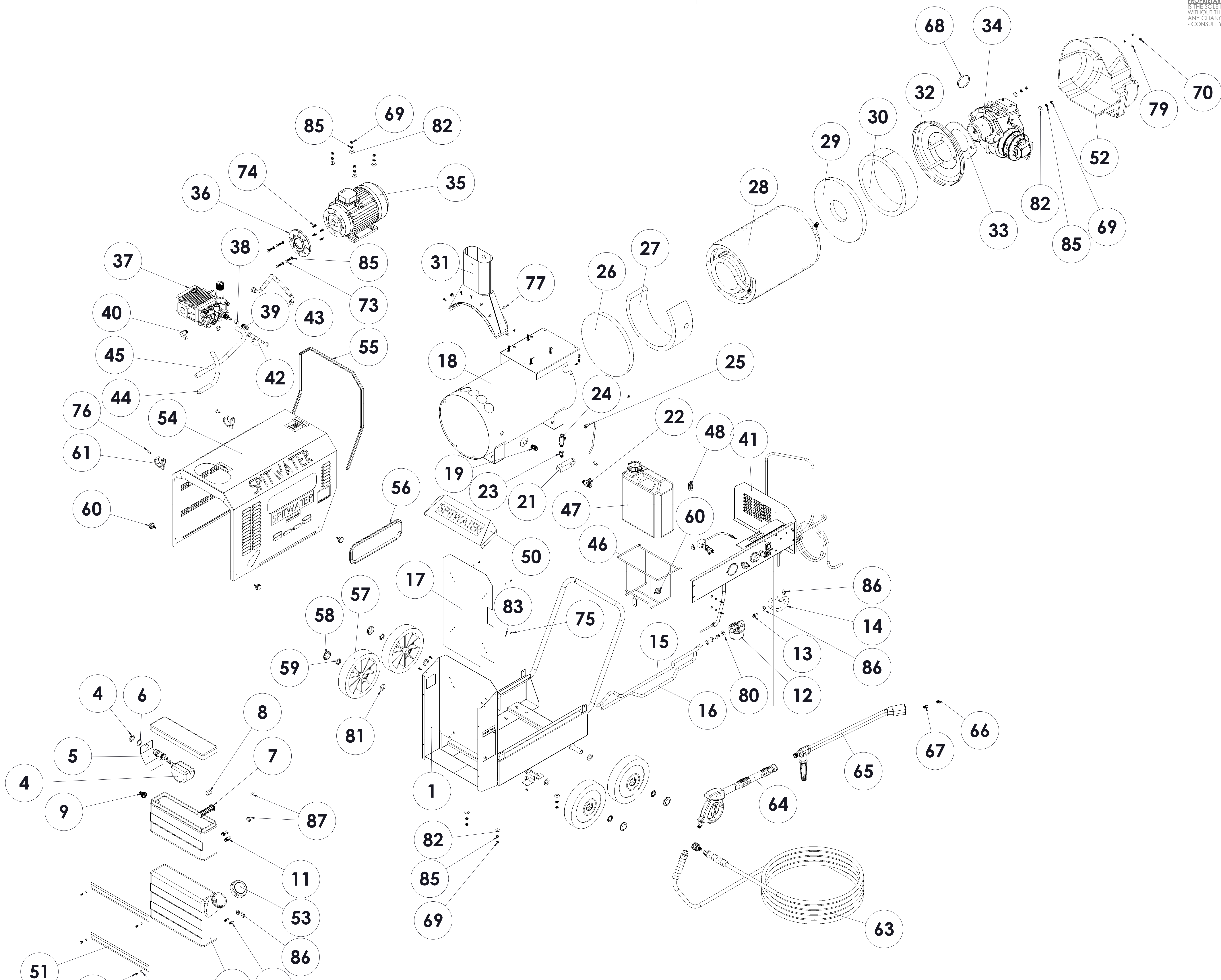
PART No.
SLD08-A

QTY: -

SHEET 1 OF 3

REV.	SERIAL NUMBER	ISSUED FOR CONSTRUCTION	DN	23/08/2016
AMENDMENT			BY:CHK/APP	DATE

NOTES:



	DATE	NAME
APPROVED		
CHECKED		
DRAWN	25/09/2017	Rajdev

SCALE: 1:7



HEAD OFFICE AND MANUFACTURING PLANT
 953 METRY STREET, ALBURY,
 NSW 2640, AUSTRALIA
 PH. 02 60257255 FAX. 02 60401187
 E-MAIL: enquiries@spitwater.com
 WEB SITE: www.spitwater.com

DESCRIPTION:
 13-180H 2700PSI 13L/M 5.5HP 3PH 380/50

MATERIAL:

TIME OF PRODUCTION:

PART No.
SLD08-A

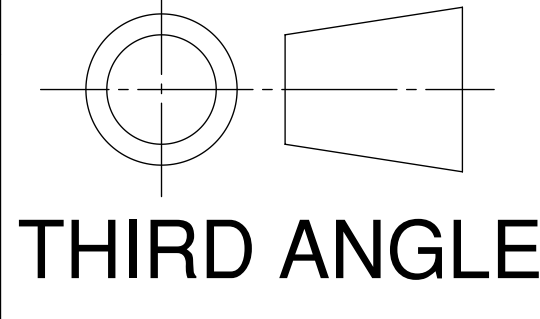
QTY: -

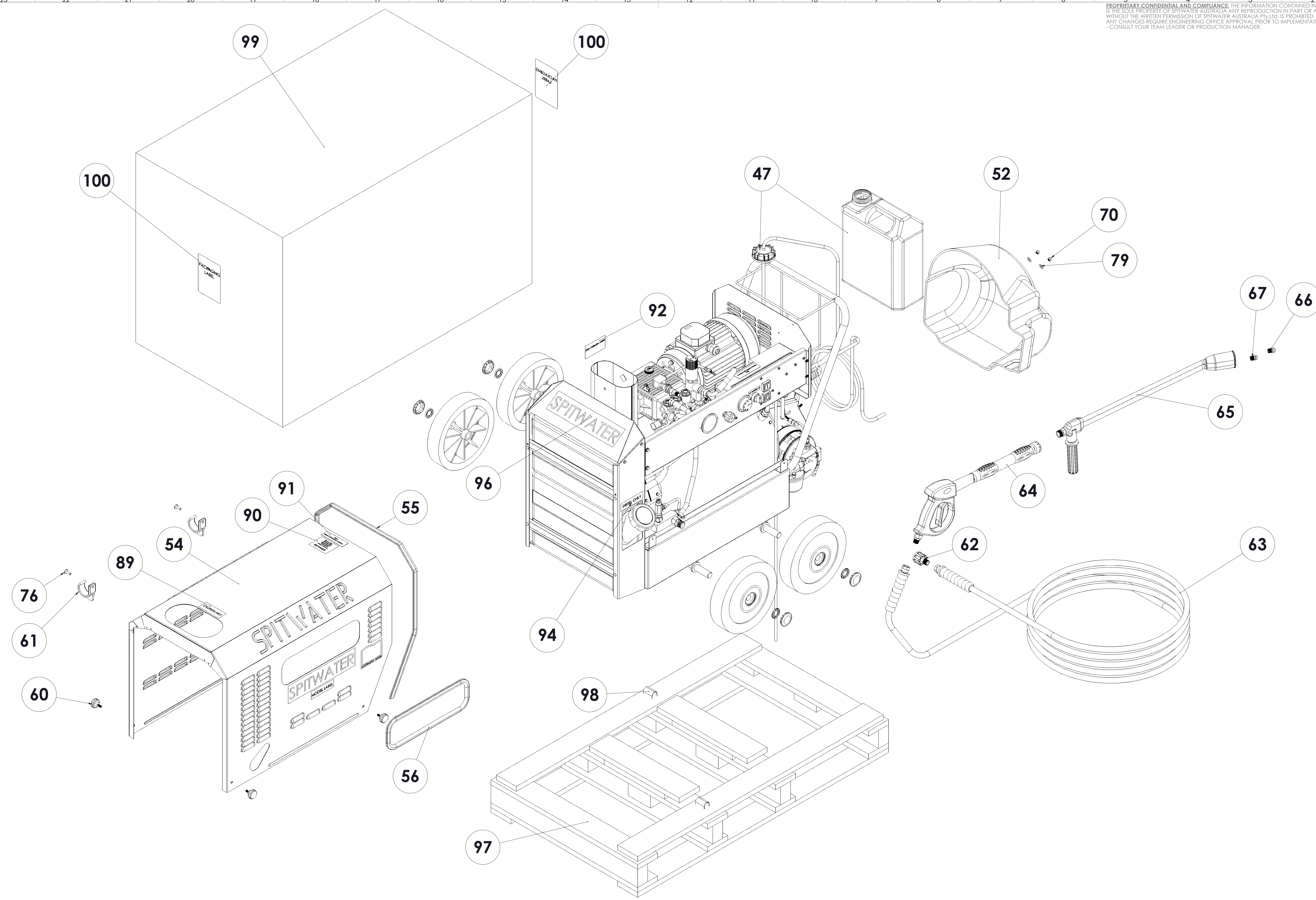
SHEET 2 OF 3

REV.	SERIAL NUMBER	ISSUED FOR CONSTRUCTION/DN	AMENDMENT	BY:CHK/APP	DATE
A					23/08/2016

NOTES:

DO NOT SCALE DRAWING





	DATE	NAME
APPROVED		
CHECKED		
DRAWN	25/09/2017	Rajdev

SCALE:
1:4



HEAD OFFICE AND MANUFACTURING PLANT
953 METRY STREET, ALBURY,
NSW 2640, AUSTRALIA
PH. 02 60257255 FAX. 02 60401187
E-MAIL: enquiries@spitwater.com
WEB SITE: www.spitwater.com

DESCRIPTION:
13-180H 2700PSI 13L/M 5.5HP 3PH 380/50

MATERIAL:
TIME OF PRODUCTION:
ATOT:-
FINISH:

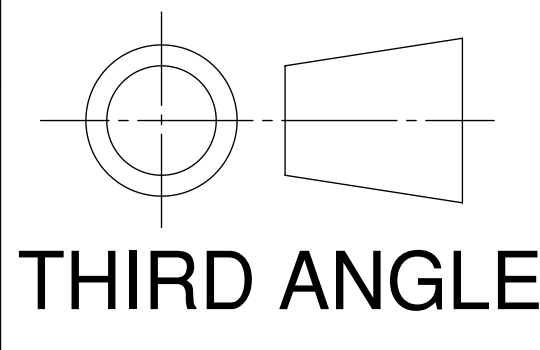
PART No.
SLD08-A

QTY: -
SHEET 3 OF 3

REV.	SERIAL NUMBER	ISSUED FOR CONSTRUCTION/DN	AMENDMENT	BY: CHKI/APP	DATE
A					23/08/2016

NOTES:

DO NOT SCALE DRAWING



THIRD ANGLE